

Canon

imageCLASS

L B P 6 2 3 0 d w

Getting Started

IMPORTANT

For Macintosh users,
please refer to P.5

En

Introducción

IMPORTANTE

Para usuarios de Macintosh,
consulte la P.5

Es

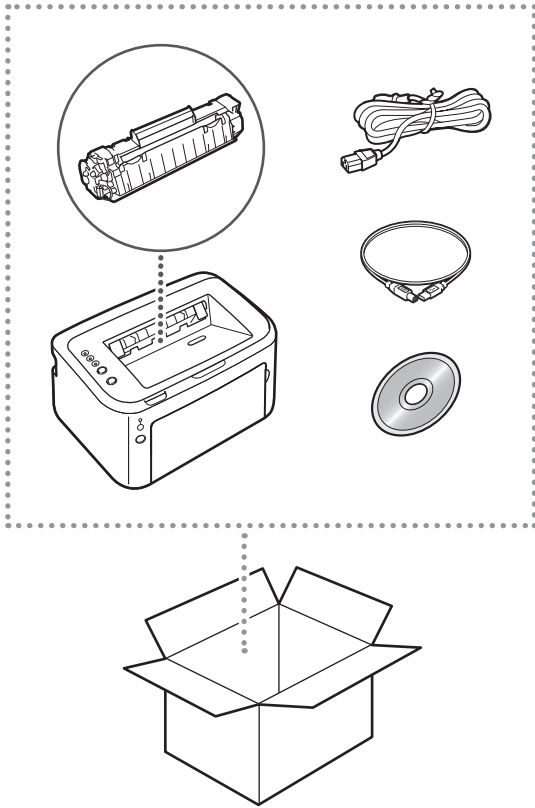
Introdução

IMPORTANTE

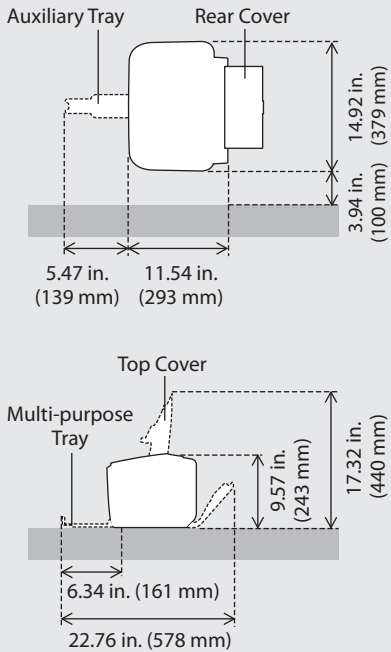
Usuários de Macintosh,
favor consultar o P.5

Pt

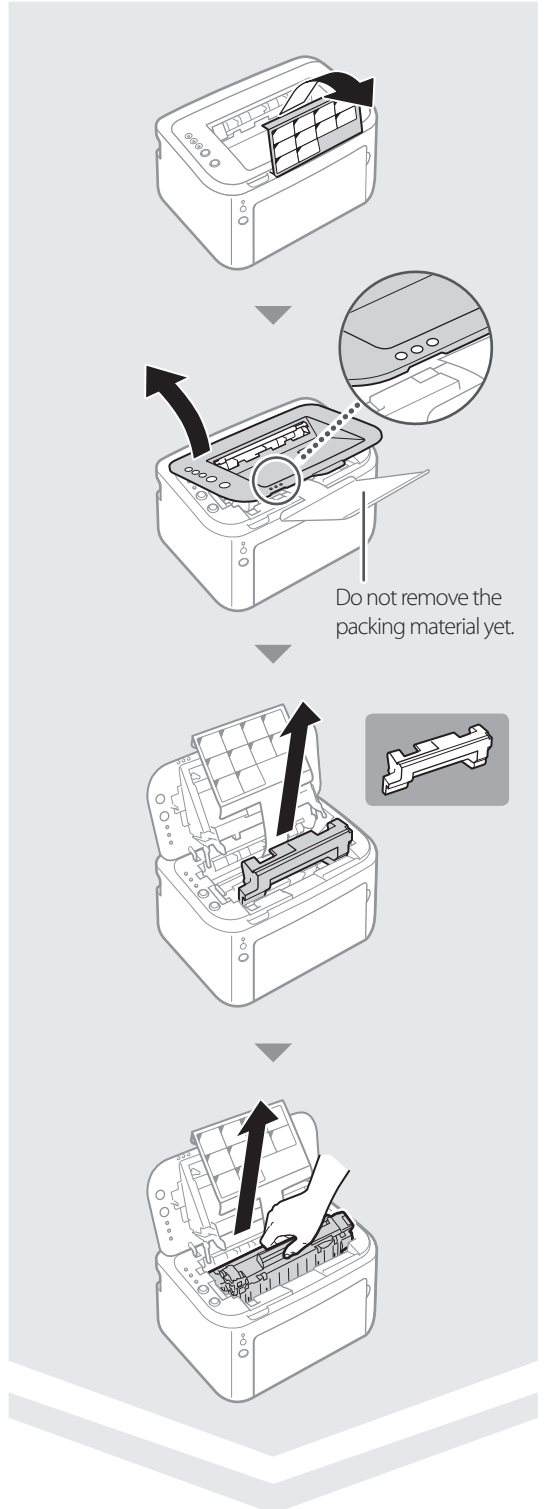
Installing the Printer

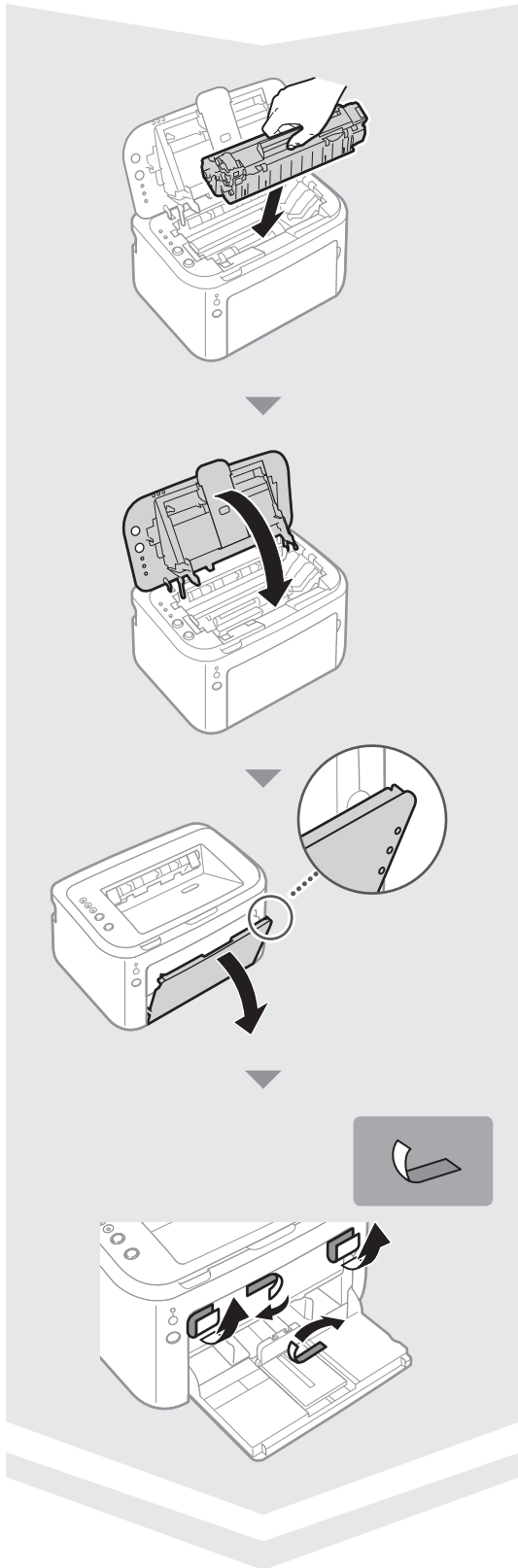
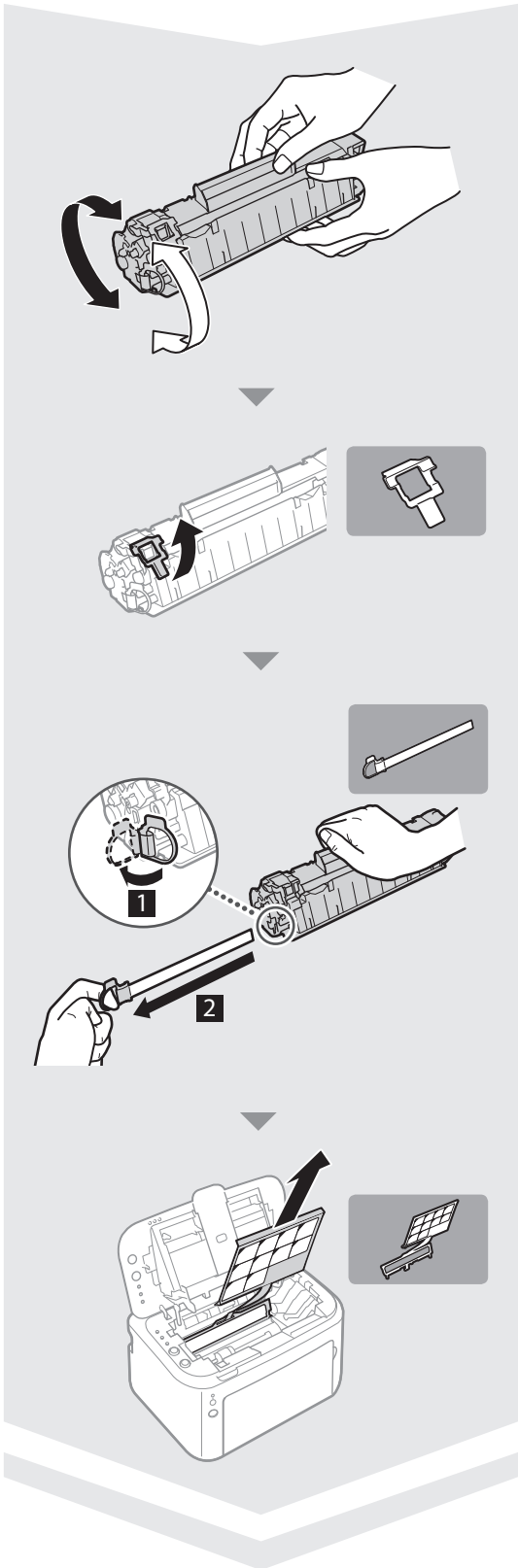


Installation Requirements

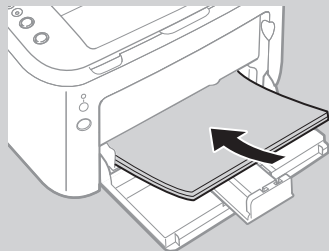
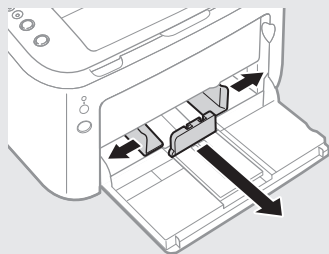


Remove all the tape.

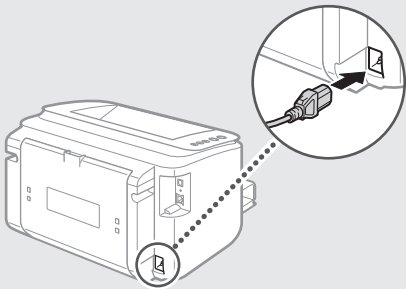
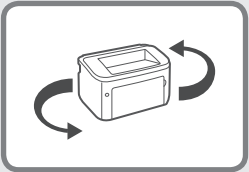
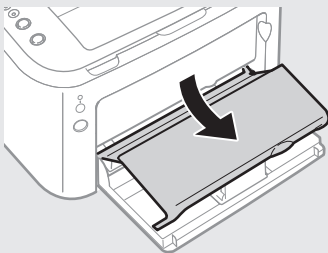
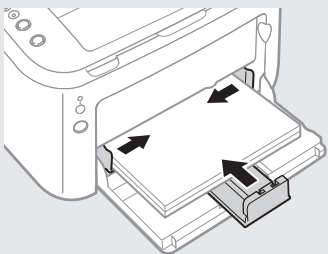
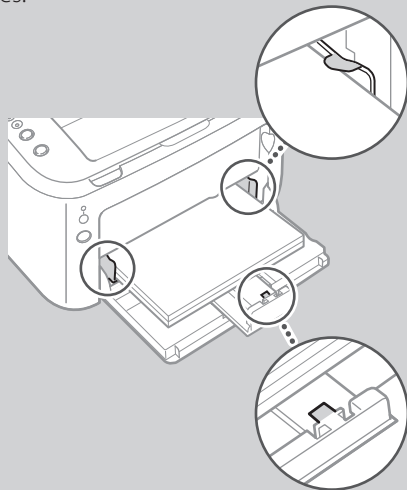


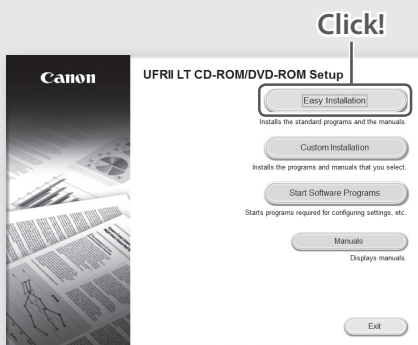
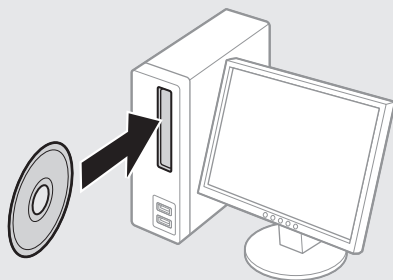
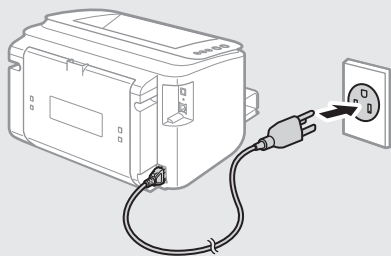


Installing the Printer



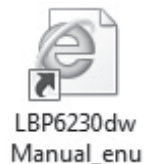
Keep the paper stack within the load limit guides.





Follow the instructions on the screen.

» Next, see the e-Manual and the Feature Highlights.



For Macintosh users

The CD-ROM/DVD-ROM supplied with this machine may not include the printer driver for Mac OS. This is different depending on when you purchase the machine. Please find and download the appropriate driver on our CANON homepage. For further information on installation or using the driver, see the Printer Driver Guide for Macintosh.

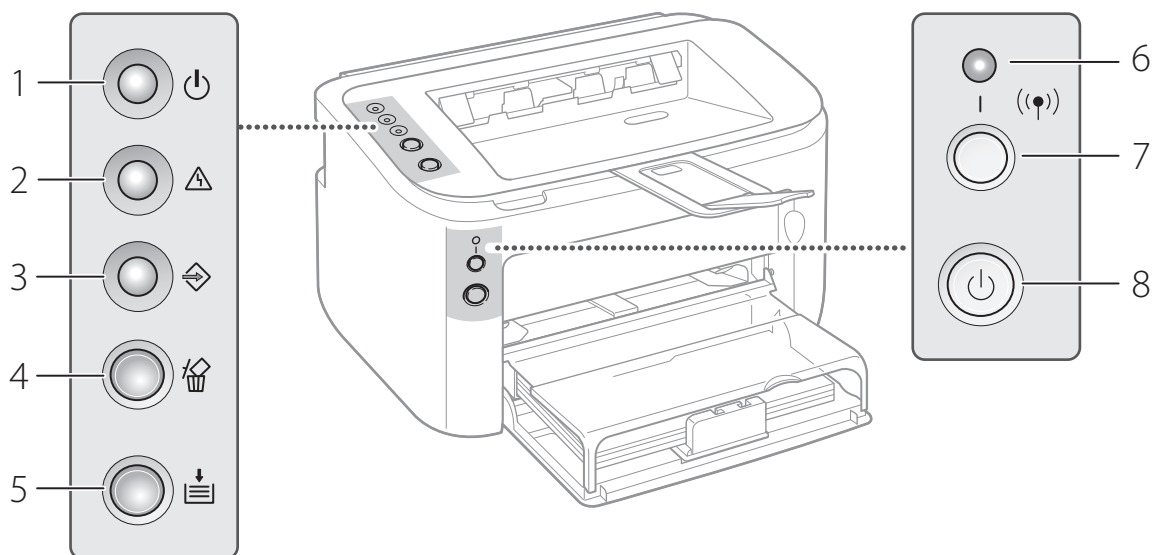
Es Para usuarios de Macintosh

El CD-ROM/DVD-ROM que acompaña al equipo podría no incluir el controlador de impresora para el SO Mac. Esto depende del lugar donde se haya adquirido el equipo. Por favor, busque y descárguese el controlador que necesite desde la página principal de CANON. Para obtener más información sobre la instalación o sobre el uso del controlador, consulte la Guía del controlador de impresora para Macintosh.

Pt Usuários de Macintosh

O driver de impressora para Mac OS pode não estar incluído no CD-ROM/DVD-ROM fornecido com esta máquina. Isto pode variar dependendo de quando você comprou a máquina. Favor baixar o driver adequado do website da CANON. Para obter mais informações sobre a instalação e uso do driver, consulte o Guia do Driver de Impressora para Macintosh.

Indicators



1 (Power) indicator

Lights up when the machine is powered ON.

Es Se ilumina cuando el equipo está encendido.

Pt Acende quando a impressora é LIGADA.

2 (Alarm) indicator

Lights up or flashes when a paper jam or other error occurs.

Es Se enciende o parpadea cuando hay un atasco de papel u otro error.

Pt Acende ou pisca quando ocorre uma obstrução de papel ou um outro erro.

3 (Job) indicator

Lights up when the machine is printing or waiting for data, and flashes when printing has been canceled.

Es Se enciende cuando el equipo está imprimiendo o esperando datos y parpadea cuando se cancela la impresión.

Pt Acende quando a máquina está imprimindo ou à espera de dados, e pisca quando a impressão foi cancelada.

4 (Cancel Job) key

Press this key to cancel printing.

Es Pulse esta tecla para cancelar la impresión.

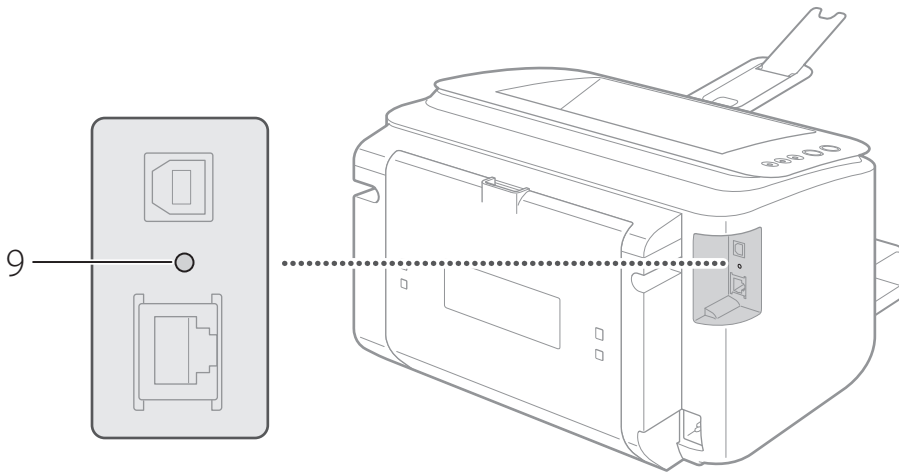
Pt Pressione esta tecla para cancelar a impressão.

5 (Paper) indicator / key

Flashes when the machine is out of paper or when the paper is the wrong size. Reset the paper and press this key to restart printing.

Es Parpadea cuando el equipo no tiene papel o cuando el tamaño del papel no es correcto. Reponga el papel y pulse esta tecla para reanudar la impresión.

Pt Pisca quando não há papel na máquina ou quando o tamanho do papel não é o correto. Coloque o papel correto e pressione esta tecla para reiniciar a impressão.



6 ((Wi-Fi)) (Wi-Fi) indicator

Lights up when the machine is connected to a wireless LAN.

Es Se ilumina cuando el equipo está conectado a una red inalámbrica.

Pt Acende quando a impressora está conectada a uma LAN sem fio.

7 ((Wi-Fi)) (Wi-Fi) key

Use this key when setting up a wireless LAN connection.

Es Utilice esta tecla cuando esté configurando una conexión de red inalámbrica.

Pt Use esta tecla para configurar uma conexão LAN sem fio.

8 Power switch

Turns the power ON or OFF.

Es Enciende y apaga el equipo.

Pt Liga e desliga.

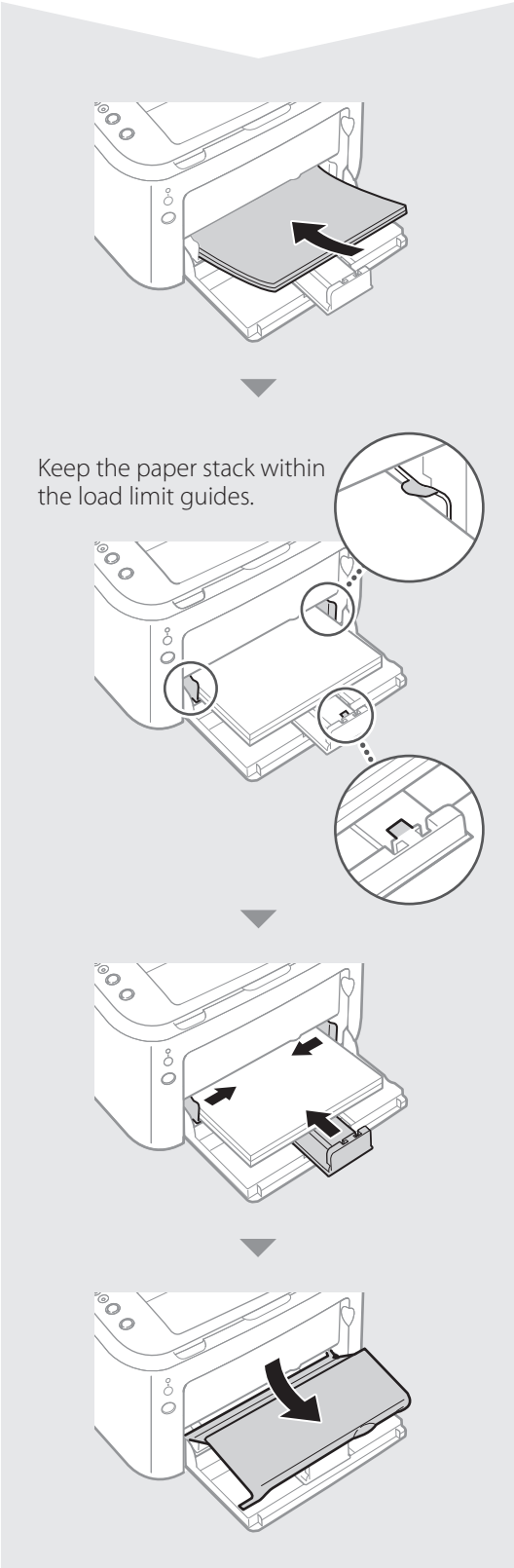
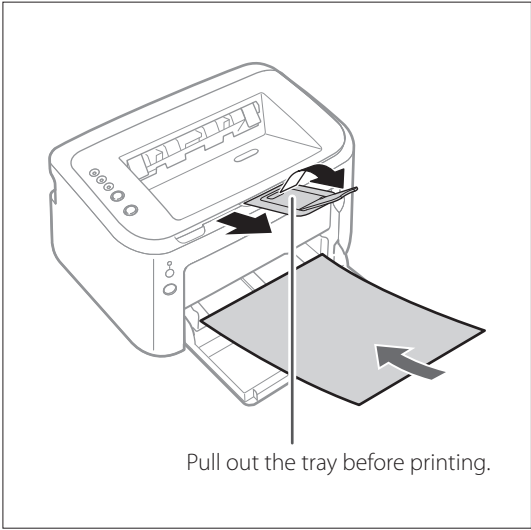
9 Reset button

You can also press this key while turning ON the power to initialize the system management settings.

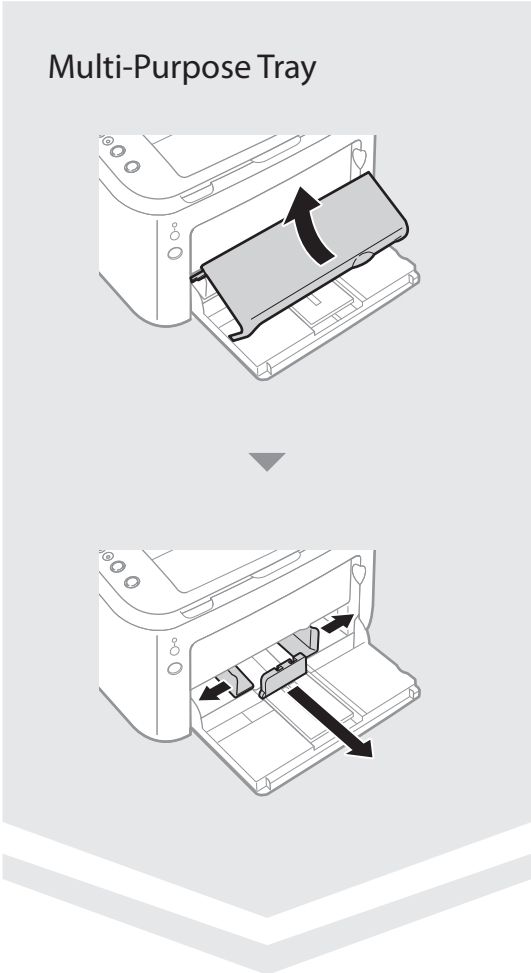
Es También puede mantener apretada esta tecla mientras enciende el equipo para inicializar las opciones de administración del sistema.

Pt Você também pode pressionar esta tecla ao ligar a alimentação para inicializar as definições de gerenciamento do sistema.

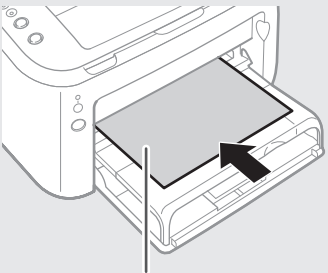
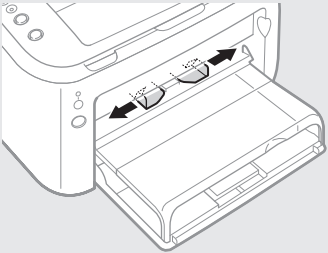
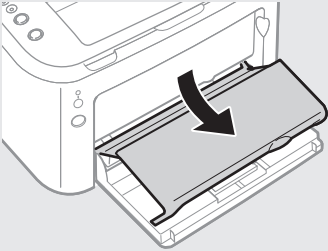
Loading Paper



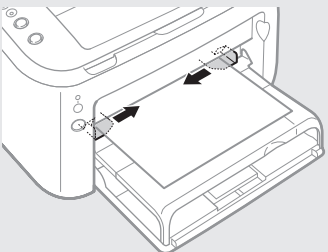
Multi-Purpose Tray



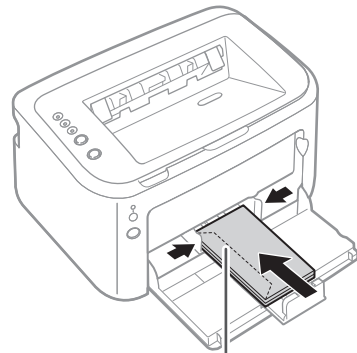
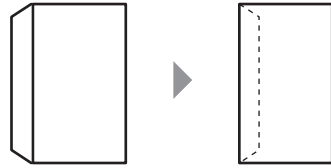
Manual Feed Slot



One sheet at a time



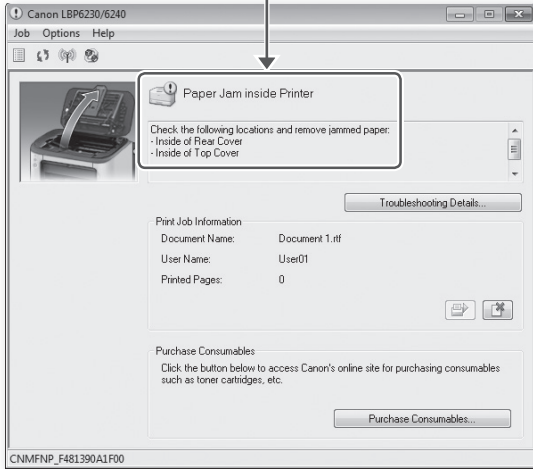
Loading Envelopes



Side to print facing up.

Paper Jams

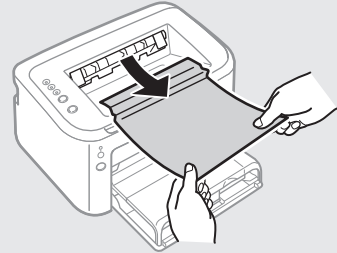
Check!



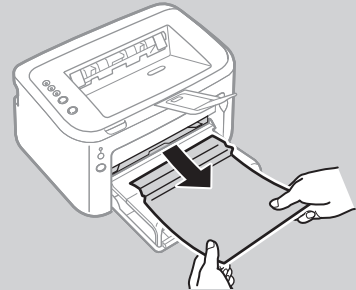
Inside of the Top Cover

Check all (**A** to **D**).

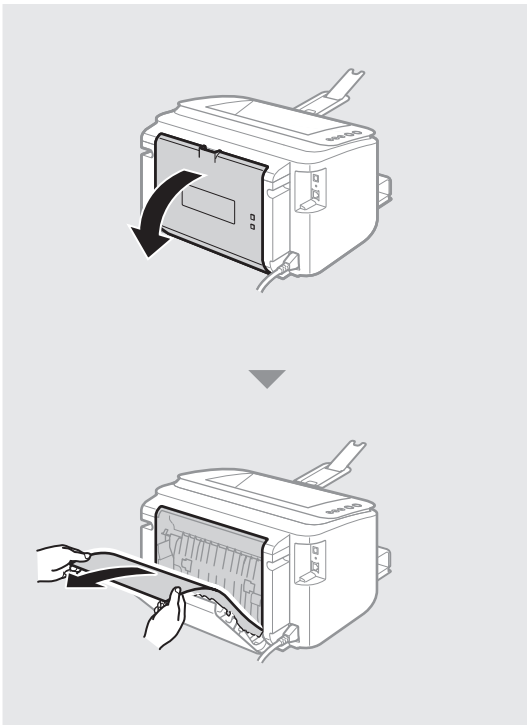
A



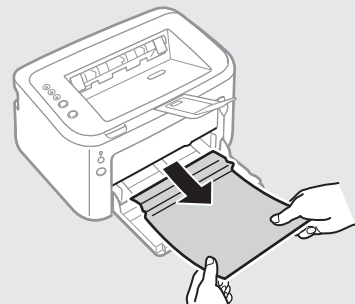
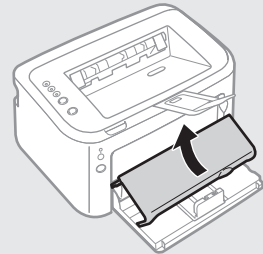
For Manual Feed Slot



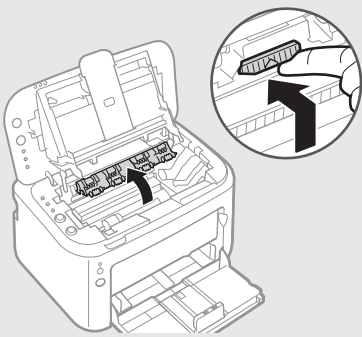
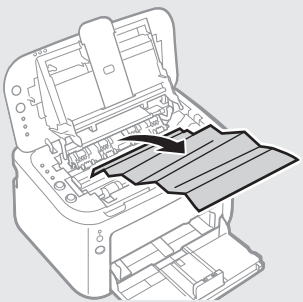
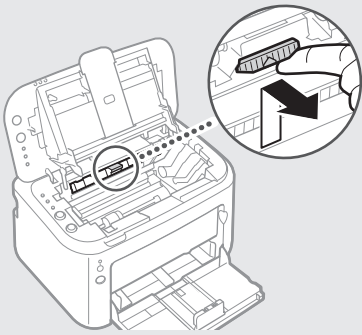
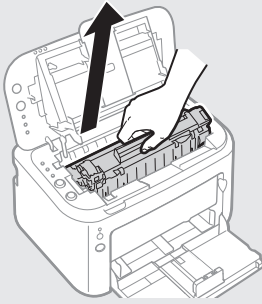
Inside of the Rear Cover



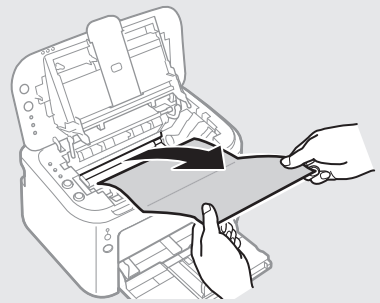
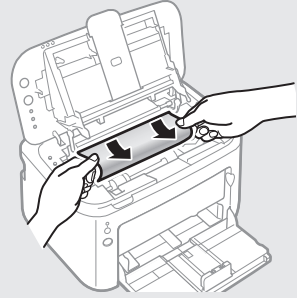
B



C

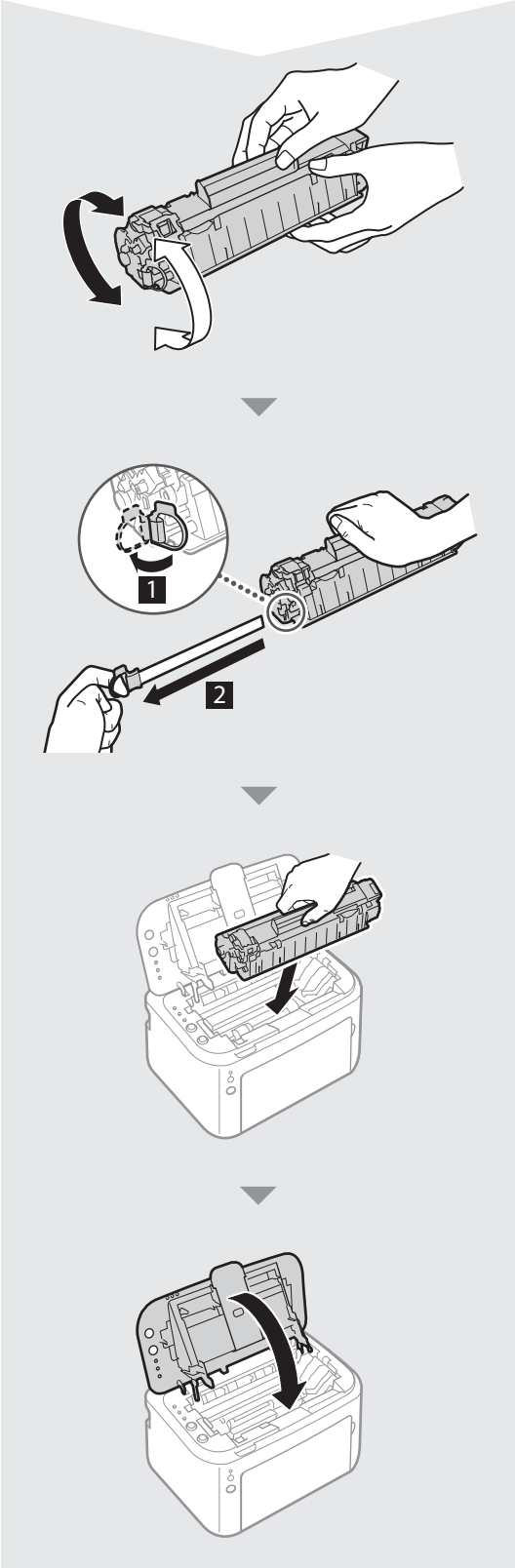
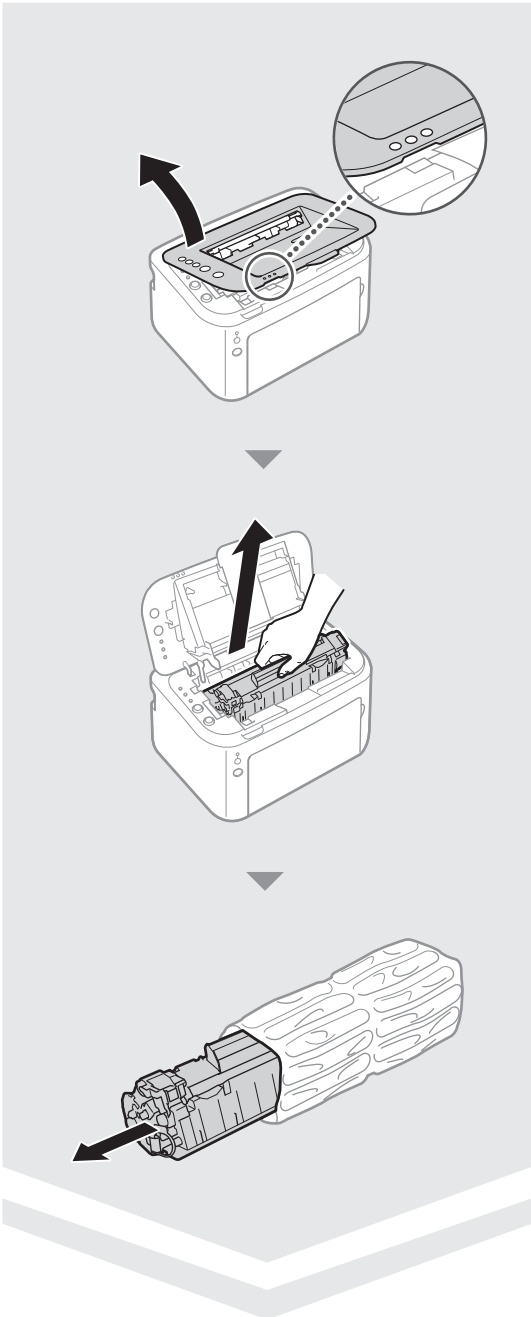
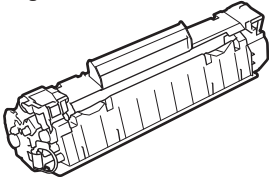


D



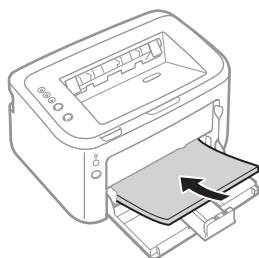
Replacing the Toner Cartridge

Canon Cartridge 126

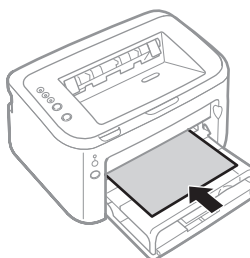


Cleaning the Inside of the Printer

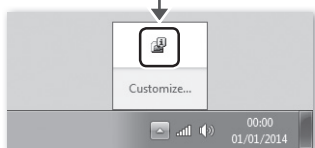
Load Letter/A4 size paper



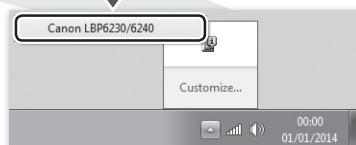
OR



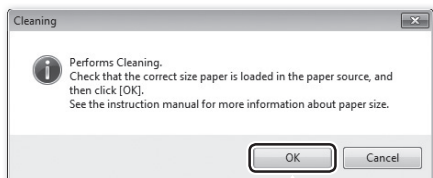
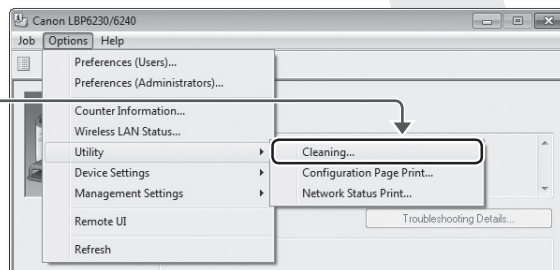
1 Click!



2 Click!



3 Select



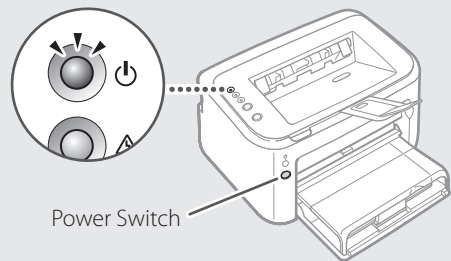
4 Click!

Troubleshooting

A Is the machine turned ON?

Es ¿El equipo está encendido?

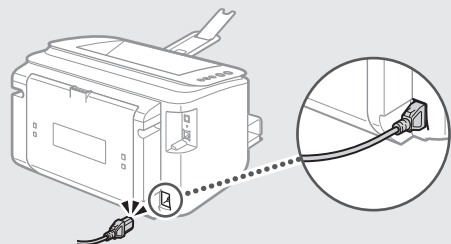
Pt A impressora está ligada?



B Is the power cord connected?

Es ¿El cable de alimentación está conectado?

Pt O cabo de alimentação está conectado?



C Does the Printer Status Window display an error message?

If a problem occurs, a message is displayed in the window.

Es ¿Muestra la Ventana de estado de la impresora un mensaje de error?

Si se produce algún problema, en la ventana aparecerá un mensaje.

Pt A Janela de Status da Impressora exibe uma mensagem de erro?

Se ocorrer um problema, uma mensagem é exibida na janela.

If the problem cannot be resolved, see the e-Manual (HTML manual).

Es Si hay algún problema que no puede solucionarse, consulte el e-Manual (manual HTML).

Pt Se o problema não pode ser solucionado, consulte o Manual eletrônico (manual HTML).

Important Safety Instructions

This manual describes only warnings and cautions for the installation and the power supply. Be sure to read "Important Safety Instructions" described in the e-Manual (HTML manual) included in the supplied CD-ROM/DVD-ROM also.

WARNING

Indicates a warning concerning operations that may lead to death or injury to persons if not performed correctly. To use the machine safely, always pay attention to these warnings.

CAUTION

Indicates a caution concerning operations that may lead to injury to persons if not performed correctly. To use the machine safely, always pay attention to these cautions.

Installation

WARNING

Do not install in a location that may result in a fire or electrical shock

- A location where the ventilation slots are blocked (too close to walls, beds, sofas, rugs, or similar objects)
- A damp or dusty location
- A location exposed to direct sunlight or outdoors
- A location subject to high temperatures
- A location exposed to open flames
- Near alcohol, paint thinners or other flammable substances

Other warnings

- Do not connect unapproved cables to this machine. Doing so may result in a fire or electrical shock.
- Do not place necklaces and other metal objects or containers filled with liquid on the machine. If foreign substances come in contact with electrical parts inside the machine, it may result in a fire or electrical shock.
- Do not use near medical equipment. Radio waves emitted from this machine may interfere with medical equipment, which may result in malfunctions and accidents.
- If any foreign substance falls into this machine, unplug the power plug from the AC power outlet and contact your local authorized Canon dealer.

CAUTION

Do not install in the following locations

The machine may drop or fall, resulting in injury.

- An unstable location
- A location exposed to vibrations

Other warnings

- When carrying this machine, follow the instructions in this manual. If carried improperly, it may fall, resulting in injury.
- When installing this machine, be careful not to get your hands caught between the machine and the floor or walls. Doing so may result in injury.

Power Supply

WARNING

- Use only a power supply that meets the specified voltage requirements. Failure to do so may result in a fire or electrical shock.
- Do not use power cords other than the one provided, as this may result in a fire or electrical shock.
- Do not modify, pull, forcibly bend, or perform any other act that may damage the power cord. Do not place heavy objects on the power cord. Damaging the power cord may result in a fire or electrical shock.
- Do not plug in or unplug the power plug with wet hands, as this may result in an electrical shock.
- Do not use extension cords or multi-plug power strips with the machine. Doing so may result in a fire or electrical shock.
- Do not wrap the power cord or tie it in a knot, as this may result in a fire or electrical shock.
- Insert the power plug completely into the AC power outlet. Failure to do so may result in a fire or electrical shock.
- Remove the power plug completely from the AC power outlet during a thunder storm. Failure to do so may result in a fire, electrical shock, or damage to the machine.

CAUTION

Do not obstruct the power outlet where this machine is connected, so that you can unplug the power plug easily in an emergency.

Before Using the Printer

To avoid the risk of personal injury or damage to the printer, and for legal information, make sure to read the "Legal Notices" and "Important Safety Instructions" in the e-Manual included on the accompanying CD-ROM/DVD-ROM carefully before using the printer.

Es Antes de utilizar la impresora

Para evitar el riesgo de sufrir lesiones personales o de causar daños a la impresora (y para información legal), asegúrese de leer atentamente los "Avisos legales" y las "Instrucciones de seguridad importantes" del e-Manual incluido en el CD-ROM/DVD-ROM suministrado antes de utilizar la impresora.

Pt Antes de Usar a Impressora

Para evitar o risco de ferimentos ou danos à impressora e para obter informações legais, leia com cuidado as "Notificações legais" e "Instruções de segurança importantes" no manual eletrônico incluído no CD-ROM/DVD-ROM fornecido, antes de usar a impressora.



CANON U.S.A., INC.

One Canon Park, Melville, NY 11747, U.S.A.
Call Center: 1-800-OK-CANON

CANON MEXICANA, S. DE R.L. DE C.V.

Boulevard Manuel Avila Camacho, No. 138 PB, Piso 17 Col. Lomas de Chapultepec CP 11000,
Mexico D.F. Mexico
Call Center: 01800-710-7168

CANON INC.

30-2, Shimomaruko 3-chome, Ohta-ku, Tokyo 146-8501, Japan

CANON MARKETING JAPAN INC.

16-6, Konan 2-chome, Minato-ku, Tokyo 108-8011, Japan

CANON EUROPA N.V.

Bovenkerkerweg 59, 1185 XB Amstelveen, The Netherlands

CANON CHINA CO. LTD.

15F Jinbao Building No.89, Jinbao Street, Dongcheng District, Beijing 100005, PRC

CANON SINGAPORE PTE LTD

1 HarbourFront Avenue, #04-01 Keppel Bay Tower, Singapore 098632

CANON AUSTRALIA PTY LTD

Building A, The Park Estate, 5 Talavera Road, Macquarie Park, NSW 2113, Australia

CANON GLOBAL WORLDWIDE SITES

<http://www.canon.com/>



FT6-0797-000