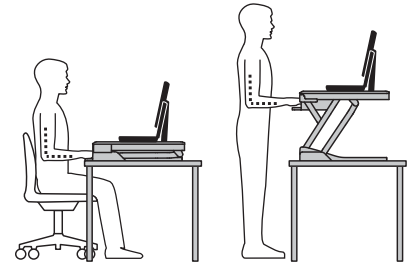
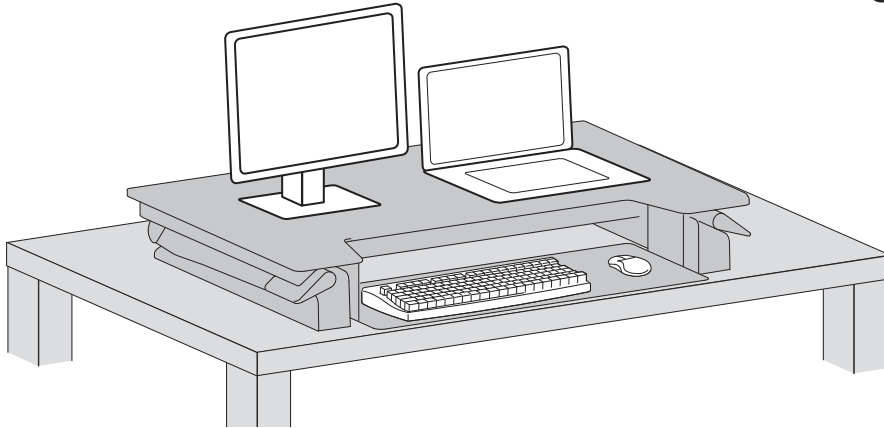
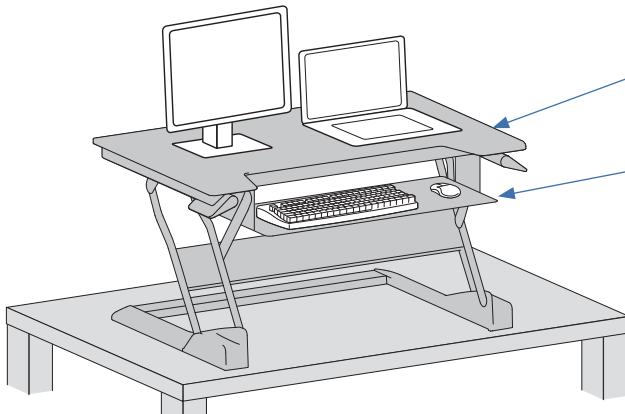
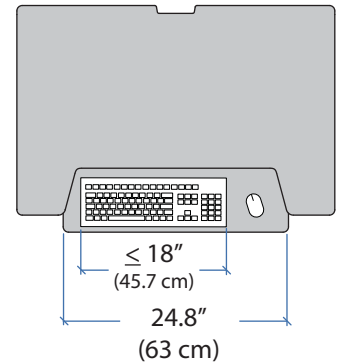
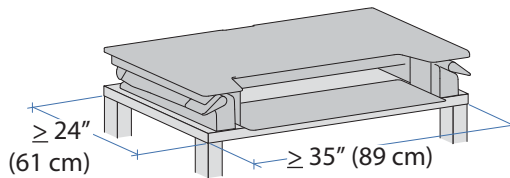
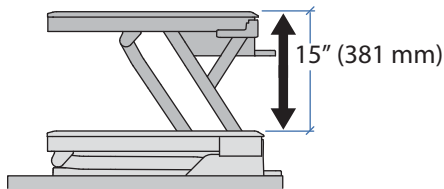


WorkFit-T

Sit-Stand Desktop Workstation



Features & Specifications



A **LB**
kg 10 - 35 lbs
(4.5 - 15.88 kg)

B **LB**
kg ≤ 5 lbs
(2.27 kg)

LB
kg

A+B= 10 - 35 lbs (4.5-15.9 kg)

! CAUTION: DO NOT EXCEED MAXIMUM LISTED WEIGHT CAPACITY. SERIOUS INJURY OR PROPERTY DAMAGE MAY OCCUR!

Components



	A	B	C	D
1				

For the latest User Installation Guide please visit: www.ergotron.com



User's Guide - English
 Guía del usuario - Español
 Manuel de l'utilisateur - Français
 Gebruikersgids - Deutsch
 Benutzerhandbuch - Nederlands
 Guida per l'utente - Italiano
 Användarhandbok - svenska
 ユーザーガイド : 日本語
 用户指南 : 汉语

CF™ Includes Constant Force™ Technology



www.ergotron.com


USA 1-800-888-8458

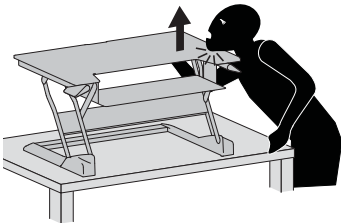
Europe +31 (0)33-45 45 600

China 86-769-86018920

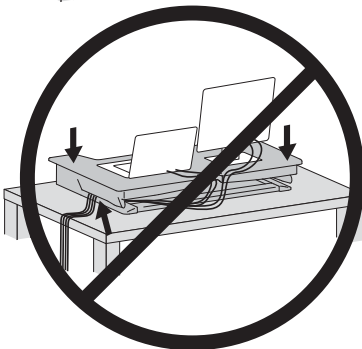
Safety

Warning: Because mounting surface materials can vary widely, it is imperative that you make sure mounting surface is strong enough to handle mounted product and equipment.

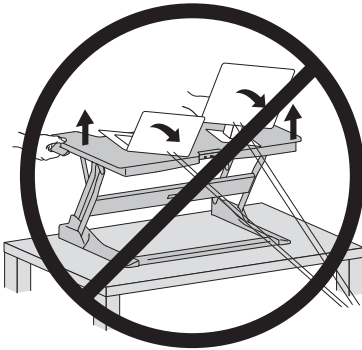
! WARNING	 <small>828-100</small>
PINCH POINT DO NOT place hands on or near support bars. Pinch points are created during lifting and lowering the worksurface. Failure to follow these instructions may result in serious personal injury.	



Warning: Impact Hazard! Moving Parts can Crush and Cut.
Raise worksurface to top of vertical adjustment **BEFORE** removing equipment.
Failure to heed this warning may result in serious personal injury and or property damage!



Caution:
To avoid the potential to pinch cables it is important to follow the cable routing instructions in this manual. Failure to follow these instructions may result in equipment damage or personal injury.



Caution:
Leave enough slack in cable to allow for full range of vertical motion (15" / 38 cm). Failure to heed this warning may result in property damage and or personal injury.

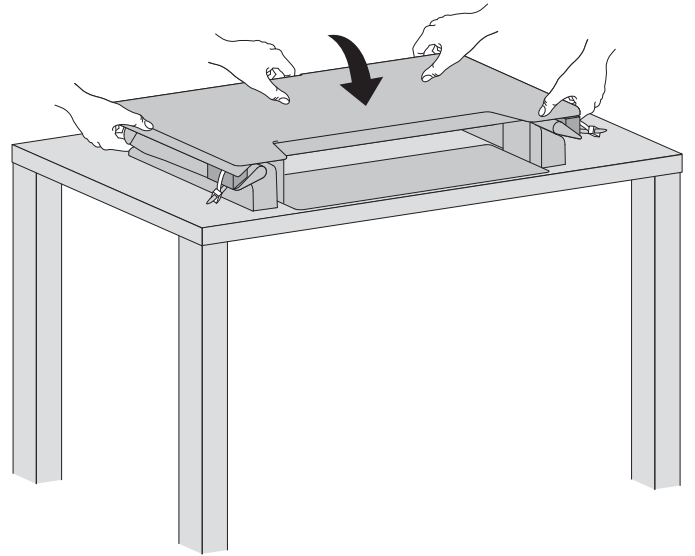
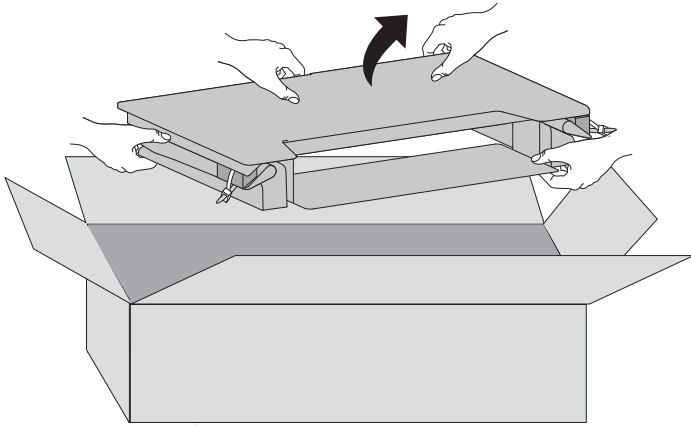
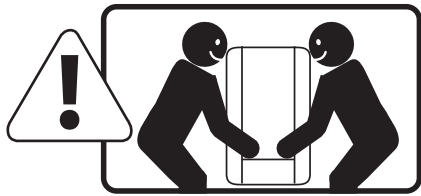


Caution:
Keep monitor and laptop base fully on the worksurface. Allowing any part of base or stand to hang off the edge may result in property damage and or personal injury.

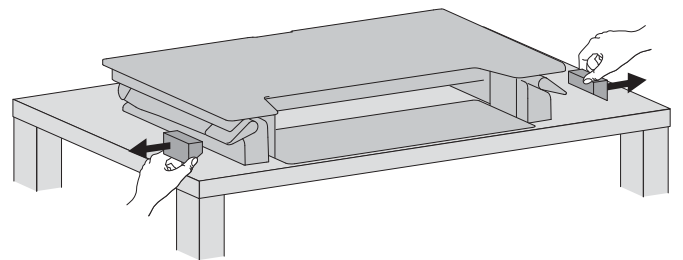
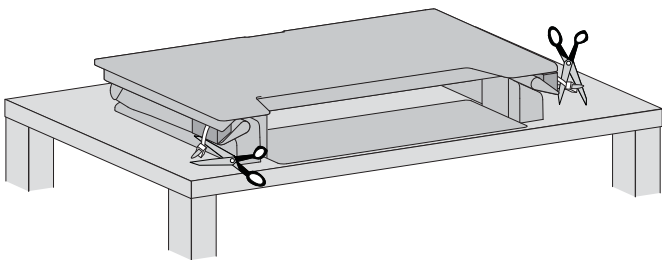


Caution:
Raise worksurface slowly. Raising worksurface too fast may create an unstable situation resulting in property damage and or personal injury.

1

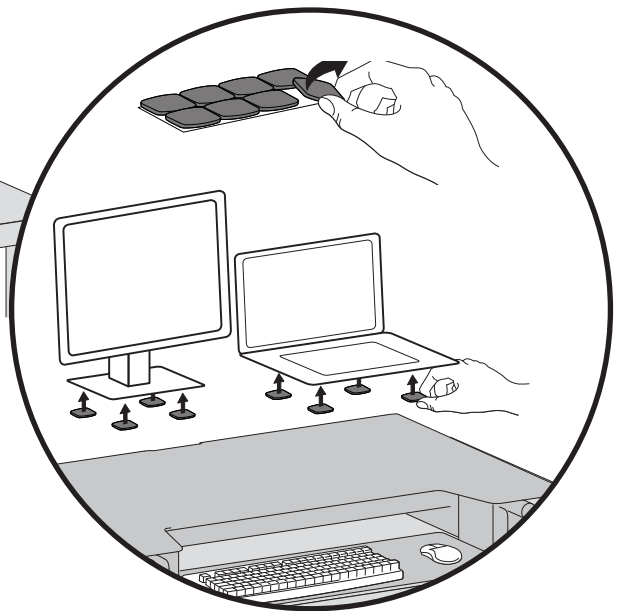
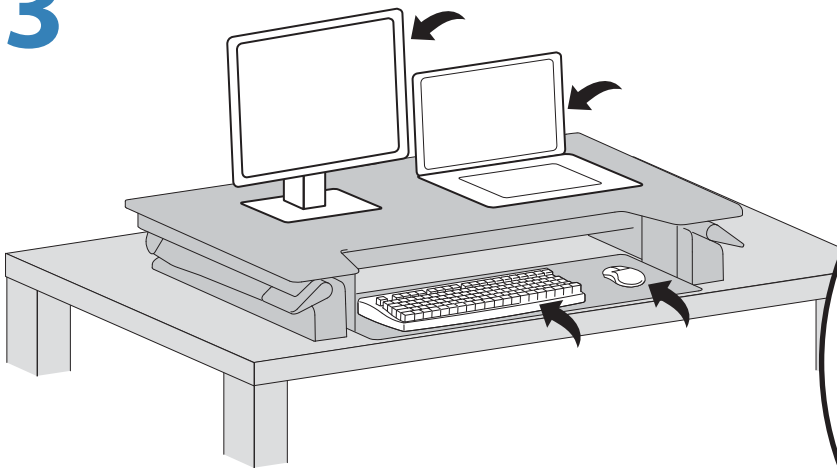


2



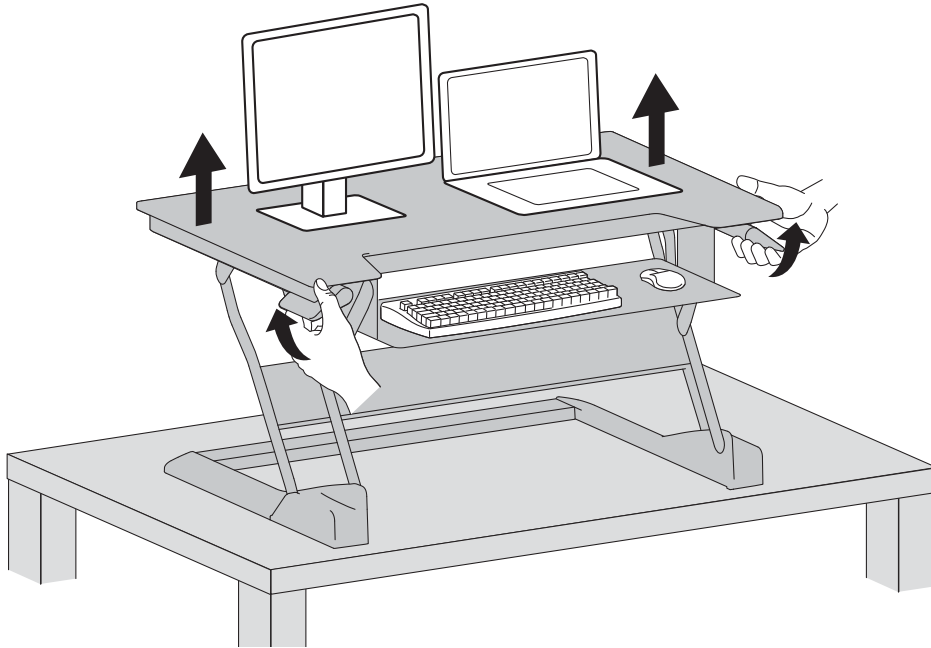
ENGLISH

3

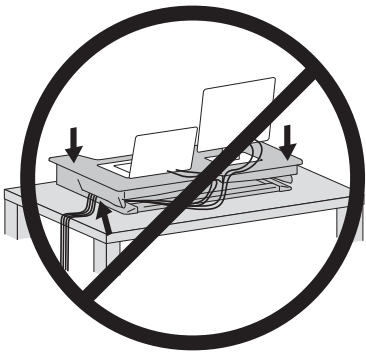


Caution: Keep monitor and laptop base fully on the worksurface. Allowing any part of base or stand to hang off the edge may result in property damage and or personal injury.

4

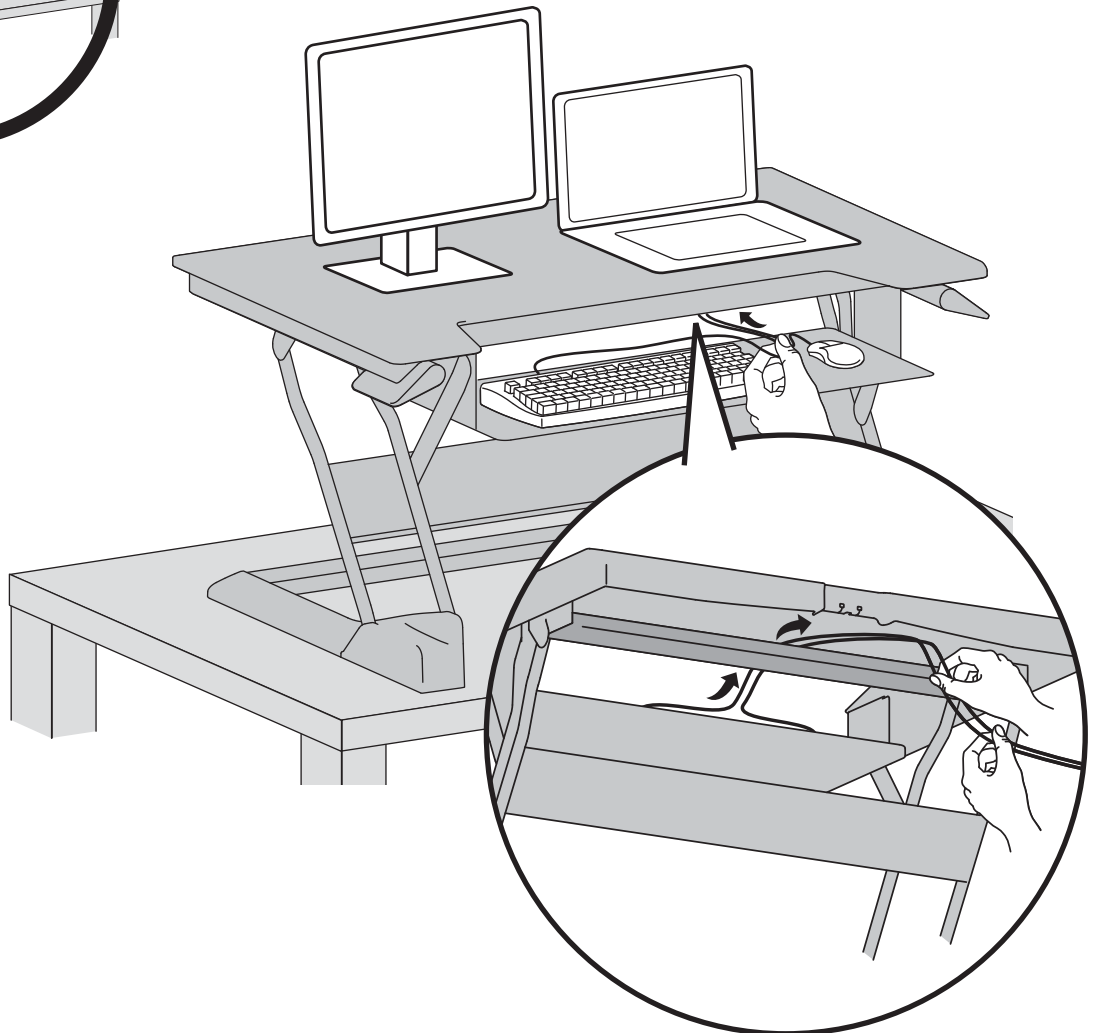


5

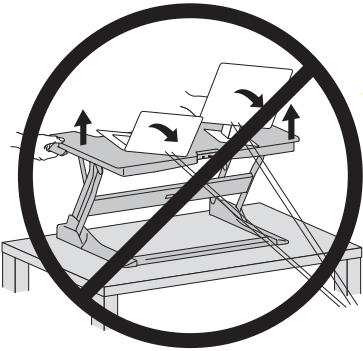
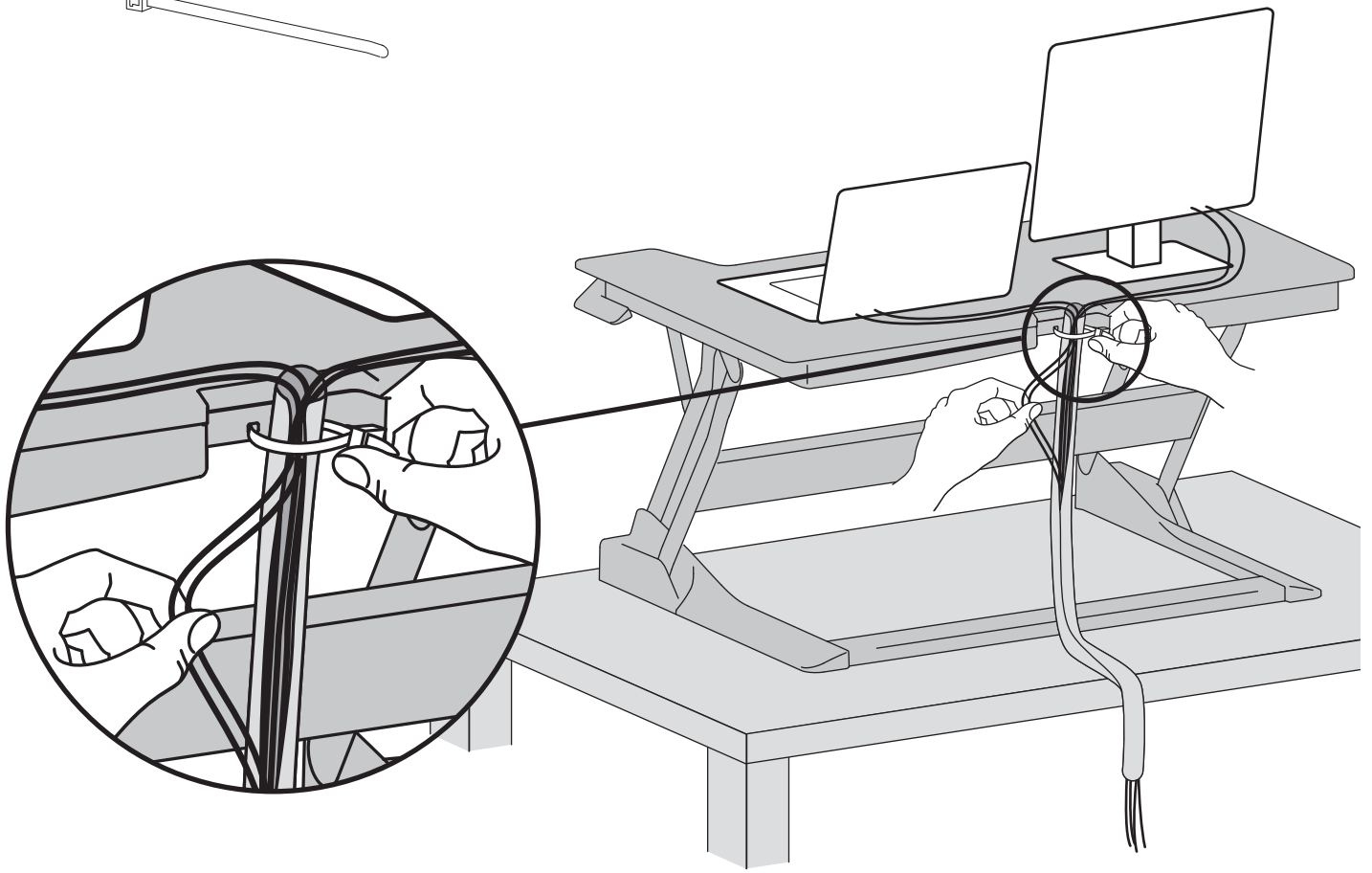
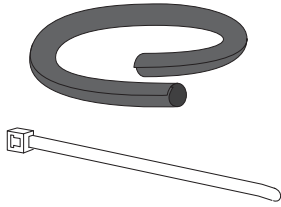


Caution:

To avoid the potential to pinch cables it is important to follow the cable routing instructions in this manual. Failure to follow these instructions may result in equipment damage or personal injury.



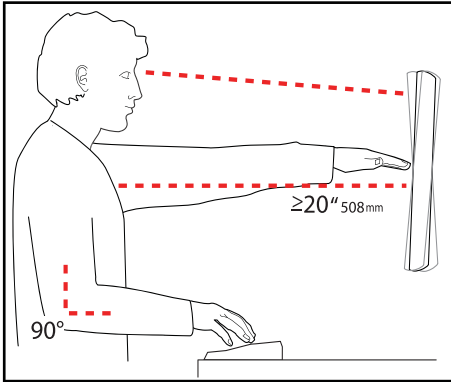
6



Caution:

Leave enough slack in cable to allow for full range of vertical motion (15" / 38 cm). Failure to heed this warning may result in property damage and or personal injury.

Set Your Workstation to Work For YOU!



Learn more about ergonomic computer use at:
www.computingcomfort.org

- Height** Position top of screen slightly below eye level.
Position keyboard at about elbow height with wrists flat.
- Distance** Position screen an arm's length from face—at least 20" (508mm).
Position keyboard close enough to create a 90° angle in elbow.
- Angle** Tilt screen to eliminate glare.
Tilt the keyboard back 10° so that your wrists remain flat.

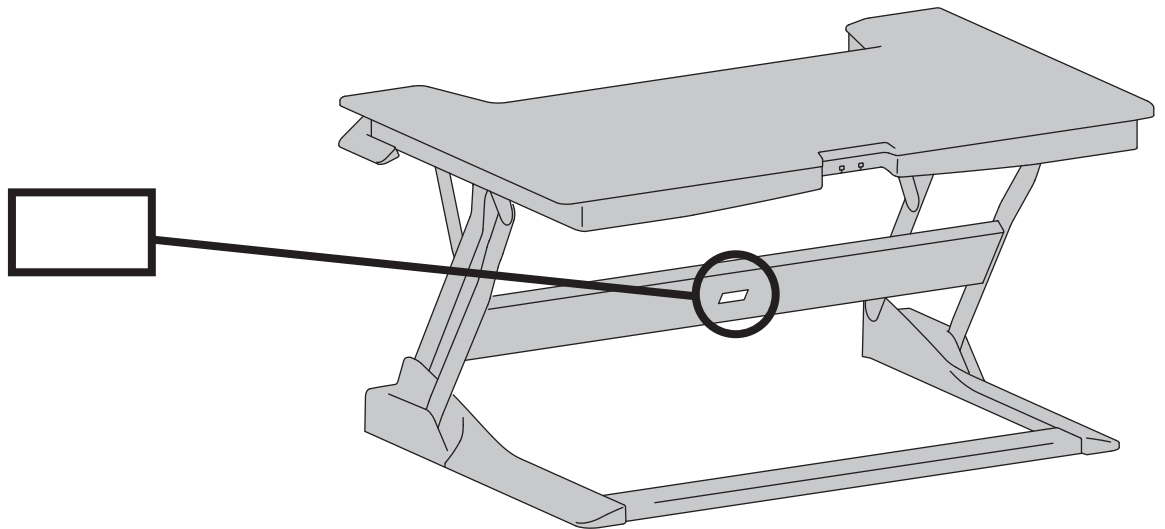
To Reduce Fatigue
Breathe - Breathe deeply through your nose.
Blink - Blink often to avoid dry eyes.
Break • 2 to 3 minutes every 20 minutes
• 15 to 20 minutes every 2 hours.

For service and warranty visit www.ergotron.com

For local customer care phone numbers visit: <http://contact.ergotron.com>



NOTE: When contacting customer service, reference the serial number.



Americas Sales and Corporate Headquarters

1181 Trapp Rd.
St. Paul, MN USA
(800) 888-8458
+1-651-681-7600
www.ergotron.com
sales@ergotron.com

APAC Sales

Tokyo, Japan
www.ergotron.com
apaccustomerservice@ergotron.com

EMEA Sales

Amersfoort, The Netherlands
+31 33 45 45 600
www.ergotron.com
info.eu@ergotron.com

Worldwide OEM Sales

www.ergotron.com
info.oem@ergotron.com



© 2014 Ergotron, Inc.
All rights reserved.

While Ergotron, Inc. makes every effort to provide accurate and complete information on the installation and use of its products, it will not be held liable for any editorial errors or omissions (including those made in the process of translation from English to another language), or for incidental, special or consequential damages of any nature resulting from furnishing this instruction and performance of equipment in connection with this instruction. Ergotron, Inc. reserves the right to make changes in the product design and/or product documentation without notification to its users. For the most current product information, or to know if this document is available in languages other than those herein, please contact Ergotron. No part of this publication may be reproduced, stored in a retrieval system, or transmitted in any form or by any means, electronic, mechanical, photocopying, recording or otherwise without the prior written consent of Ergotron, Inc., 1181 Trapp Road, Eagan, Minnesota, 55121, USA Patents Pending and Patented U.S. & Foreign. Ergotron is a registered trademark of Ergotron, Inc.