

MCMGBSC055/MCMGBSC055GB/ MCMGBSC055EU

Gigabit Ethernet Multi-Mode Fiber Media Converter - SC 0.55 km

Installation Guide

Packaging Contents

- 1 x MCMGBSC055 / GB / EU media converter
- 1 x Power Adapter
- 1 x Installation Guide

System Requirements

- Gigabit (1000Mb/s) Ethernet network
- Gigabit (1000Mb/s) Fiber network

LED Indicators

LED	Status	Description
PWR	ON	Power On
	OFF	Power Off
FX LINK	ON	Fiber Link Detected
	OFF	No Fiber Link Detected
TP LINK/RX	ON	Ethernet Link Detected
	OFF	No Ethernet Link Detected
	ON	Unit is receiving data from Ethernet port
	OFF	No incoming data from Ethernet port

Installation

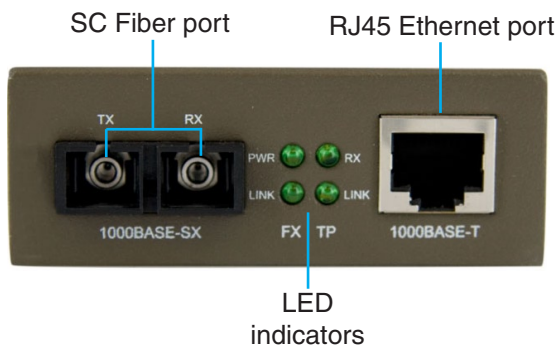
1. Connect the Ethernet cable to the Fiber Media Converter RJ45 Ethernet port.
2. Connect the other end of the Ethernet cable to the router/switch/computer NIC.
3. Connect the fiber cable into the fiber receptacle on the media converter.
4. Plug the provided power adapter into the media converter, and into an available AC power outlet.
5. Connect the other end of the fiber cable into the router/switch/computer NIC/another media converter. Remember to reverse the TX and RX leads between the two devices.

NOTE: Normally the Mode switch should be set for AUTO, but if connecting to another media converter, FORCE may need to be set.

Specifications

Connectors	1 x RJ45 Ethernet 2 x SC Fiber 1 x Power connector
LEDs	Power, Fiber Link, Fiber Receive, Ethernet Link
Fiber Type	Multi Mode 62.5 or 50/125 micron fiber
Maximum Distance	550m (50/125) or 220m (62.5/125)
Transmission Standards	IEEE802.3ab, 802.3z
Duplex Mode	Full/Half (Auto-Detect)
Dimensions	99.0mm x 73.0mm x 27.0mm
Weight	450g

Front View



Rear View



Warranty Information

This product is backed by a one year warranty. In addition, StarTech.com warrants its products against defects in materials and workmanship for the periods noted, following the initial date of purchase. During this period, the products may be returned for repair, or replacement with equivalent products at our discretion. The warranty covers parts and labor costs only. StarTech.com does not warrant its products from defects or damages arising from misuse, abuse, alteration, or normal wear and tear.

Limitation of Liability

In no event shall the liability of StarTech.com Ltd. and StarTech.com USA LLP (or their officers, directors, employees or agents) for any damages (whether direct or indirect, special, punitive, incidental, consequential, or otherwise), loss of profits, loss of business, or any pecuniary loss, arising out of or related to the use of the product exceed the actual price paid for the product. Some states do not allow the exclusion or limitation of incidental or consequential damages. If such laws apply, the limitations or exclusions contained in this statement may not apply to you.