



Airfree®

Instruction Manual
Instruction Manual

Airfree® P1000 / Platinum 2000 / Onix 3000
Airfree® P1000 / Platinum 2000 / Onix 3000

Safety Instructions2

Applications3

What Airfree® Destroys.....3

Airfree® and Mold4

Installing and Connecting4

Airfree® Description5

Technical Characteristics.....5

How does Airfree® Work?.....6

Frequently Asked Questions.....6

Warranty8

Copyright 2015 Airfree® Produtos Eletrônicos S.A. All Rights Reserved.

All rights reserved. No part of this publication may be reproduced, photocopied, transmitted, transcribed, stored in a retrieval system, or translated into any language in any form or by any means without the express prior written consent of Airfree® Produtos Eletrônicos S.A.

Safety Instructions



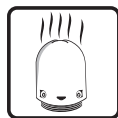
Airfree® is not intended for use by persons (including children) with reduced physical, sensory or mental capabilities, or lack of experience and knowledge.



Do not place your Airfree® in direct contact with water or liquids as it can cause an electric a harmful shock hazard and damage to the unit itself.



Do not obstruct Airfree® air outlets with items such as towels, clothing, curtains, as it will increase heating inside the ceramic core causing the device to shut off. If such condition persists a general cut-off system will cut power supply requiring replacement of the circuit board by an authorized dealer. This incident is not covered by the Airfree® warranty.



Do not attempt to open Airfree® or touch its internal components. Do not insert any objects as it may cause electric shock. Any attempt to open or tamper Airfree® will void the warranty.



To clean Airfree®, unplug it from the electric outlet and use a dry cloth to wipe off its surface. Do not attempt to open Airfree® to clean it inside. Only Airfree® authorized dealers have the expertise and authorization to repair your Airfree®.



Always keep Airfree® in its vertical position as shown in the picture, otherwise the unit will be shut off until it goes back to the vertical position.



In the event of a return for repair, make sure Airfree® is well protected preferably inside its original box to avoid further damage. To find the nearest Airfree® dealer visit: www.airfree.com



Airfree® shall not be placed near flammable and toxic products.

If the supply cord is damaged, it must be replaced by an authorized repair centre. Please contact your Airfree® dealer.

Applications



Helps relieve respiratory allergies and asthma



Hospitals, clinics and laboratories



Children and newborn rooms



Offices, public buildings



Yachts, cruisers, boats, RV's



Libraries, museums, archives



Video, films, sound and optical equipment



Kitchens and pantries food preservation



Healthy rooms with pure clean air



Restaurants



Schools, kindergartens



Hotels, motels and retire homes

What Airfree® Destroys



Mold and Mildew



Dust Mites Allergens



Organic Odors



Viruses



Pet Dander Allergens



Ozone (O₃)



Bacteria



Pollens

Airfree® and Mold

Guide for Airfree® installation in mold contaminated rooms

- 1 - Install your Airfree® unit in accordance with the user manual
- 2 - Allow your unit to run for at least one week to achieve significant airborne mold spore reduction.
- 3 - Clean mold infected items and surfaces, since they are a continuous source of new spores.

It is important to stress that Airfree® will not destroy or remove mold from an infected item or surface. Those surfaces must be cleaned manually.

Airfree® will destroy airborne molds, spores and prevents them from contaminating other areas, inhibiting the growth of existing and new colonies.

Installing and Connecting



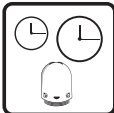
Plug power cord into the nearest outlet. Make sure the surface is dry (never place Airfree® on wet floor or immerse it in water). Make sure side led light is on. Adjust the night light intensity with the touch sensor. After 10 minutes the top lid should be warm.



Place Airfree® on a flat surface not exceeding 3' (75 cm) from the floor, not under furniture, shelves, or behind curtains as it will reduce airflow and Airfree® efficiency in reducing microorganisms.



Check if the area is compatible with the unit capacity to achieve best unit performance.



Airfree® must be continuously on in the same room, 24 hours a day.



Airfree® is to be used in rooms with minimum air volume of 330 ft³ (10 m³).



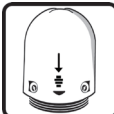
Airfree® can be installed in rooms equipped with air conditioning and heating systems. However it is recommended not to place it nearby to avoid potential interference in Airfree® air flow.



Airfree® can be placed in corridors but the air sterilization effects will barely have any effect in connecting rooms.



Airfree® shall not be placed near doors or under windows to avoid sterilized air to exit the room.



To change night light intensity or to shut off, press the sensor on the top of Airfree's logo. You can choose the best light intensity or simply shut the lights off.

Airfree® Description

1- Top Lid with Air outlets and Night Light

2- Light Intensity Touch Sensor

3- Side Shells

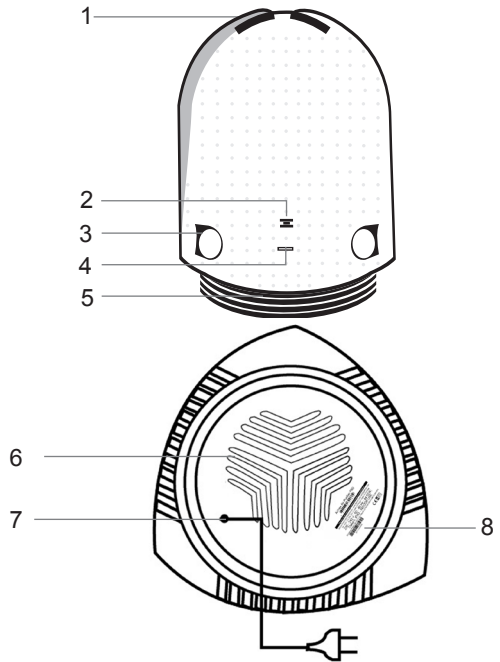
4- On/Off Led

5- Base

6- Air Inlets

7- Power Cord

8- Serial Number



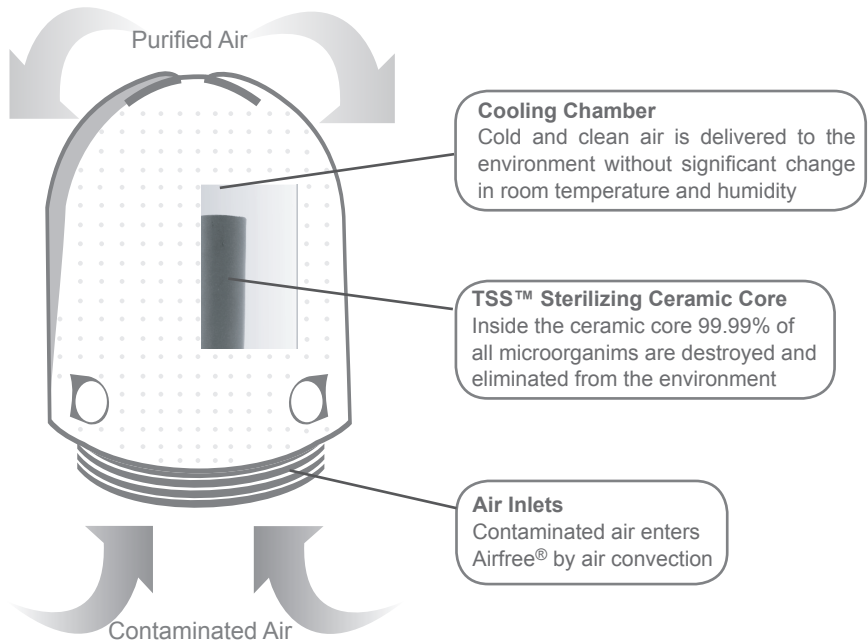
It is possible to adjust the light intensity using the night light intensity touch sensor (2) located at the position indicated by the illustration above. The light does not intervene or has any relation with Airfree's TSS™ patented sterilization core functioning.

Technical Characteristics



Model	P1000	P2000	Onix 3000
Capacity	450 ft ² (42 m ²)	550 ft ² (51 m ²)	650 ft ² (60 m ²)
Electric Consumption	45W	48W	52W
Voltage	110V - 127V	110V - 127V	110V - 127V
Noise	Totally Silent	Totally Silent	Totally Silent
Weight	3.1 lb (1.41 kg)	3.2 lb (1.45 kg)	3.3 lb (1.50 kg)
Dimensions	Hgt: 10.4in/26.5 cm Ø 8.4 in/21.5 cm	Hgt: 10.4 in/26.5 cm Ø 8.4 in/21.5 cm	Hgt: 10.4 in/26.5 cm Ø 8.4 in/21.5 cm

How does Airfree® Work?



How Airfree® works?

Contaminated air silently enters Airfree® by air convection and is sterilized inside Airfree® patented TSS™ ceramic core where all microorganisms are destroyed at high temperatures with meaningless heat contribution to the room. Regardless of how hazardous a virus, fungus or bacteria might be they are fully destroyed by the powerful heat inside the TSS™ ceramic core mini ducts. The heat inside the ceramic core forces sterilized air up to the heat exchanger causing air convection, which generates negative pressure underneath the ceramic core, so contaminated air is “sucked” in at Airfree® bottom air inlets in a continuous silent, and efficient air flow. Every time air passes through the TSS™ ceramic core corrosive ozone is reduced in 26%.

Frequently Asked Questions

1. Are there any side effects?

No. Airfree's new technology uses heat to purify the air with meaningless heat contribution to the room. No side effects, no emissions, NO IONS, nor new particles are generated. Airfree® can be used in homes and offices, quietly, constantly, and efficiently purifying the air.

2 - How do I shut the night light off?

To change night light intensity press the sensor on the top of Airfree's logo. You can choose the best light intensity or shut the lights off.

3. Can I install Airfree® in my walking closet ?

Yes, as long as it has at least 330 ft³ (10 m³)*. Airfree® should not be placed under shelves or its efficiency will be reduced.

4. Can I use Airfree® in air conditioned rooms?

Yes.

5. How do I know if Airfree® is no longer working?

Check the top lid, if it is warm Airfree® is working.

6. Can I place Airfree® at the corridor to reach adjacent rooms?

No. Airfree® will just reduce air pollution in the corridor's area.

7. Can I place Airfree® in a closed room?

Yes. Please remember such a room must have at least 330 ft³ (10 m³).

8. Can I change Airfree® from one room to another?

Airfree® must always be plugged in the same room 24 hours a day. Airfree's patented technology works gradually and cannot have its cycle interrupted. Moving it from one room to another will interrupt the cycle and the room will start being contaminated again.

9. Should I turn off Airfree® when I leave house?

No. Airfree® must always be ON.

10. What happens if Airfree® is disconnected or there was a black out?

Airfree® will take approximately the same time to recover the previous reduced contamination level.

11. Does CADR measure the effectiveness of the Airfree®?

Not at all. CADR is not designed to test the Airfree® technology. The AHAM seal (usually found on the back of an air cleaner's box) lists three Clean Air Delivery Rate (CADR) numbers: one for tobacco smoke, one for pollen and one for dust. The CADR indicates volume of filtered air delivered by an air cleaner. The reason why CADR is not designed for Airfree® is because Airfree® does not filter but destroys microorganisms instead, such reduction of bacteria, molds, viruses and other microorganisms can only be measured after air sample incubation in a microbiology lab. Airfree® destroys (not trap or attract to other surface) any microorganism regardless of how small they might be. 99.99% of all microorganisms are fully destroyed when passing through the Airfree® patented ceramic core.

12. Does Airfree® eliminate bacteria and viruses?

Yes. Unlike the air filters in the market Airfree® is more efficient with the smallest microorganisms as they are easily carried by Airfree's airflow into the sterilizing TSS™ ceramic core. Please check the independent bacteria and virus tests at our website.

13. How does Airfree® destroy dust mites?

Mold reduction in the environment causes reduction in the mold dependant dust mite population. Airfree® also destroys the harmful toxins and fungus freed into the air by dust mite feces and skeletons that trigger respiratory allergies and asthma.

14. How does Airfree® eliminate fungi and molds?

As mentioned before, Airfree® eliminates airborne microorganisms there included molds, fungi and spores. By eliminating spores new mold colonies are unlikely to develop, representing less future airborne mold spores. Please check the independent mold tests at our website.

15. Does Airfree® reduce tobacco smell?

Yes, Airfree® reduces any kind of organic smell in the ambience including tobacco.

16. How does Airfree® destroy viruses?

Those microscopic microorganisms are easily eliminated inside Airfree's ceramic core capillaries. Contrary to other technologies the smallest the microorganisms the easiest they are destroyed inside the TSS™ ceramic core capillaries. Please check the independent virus test at our website.

17. Does Airfree® make any humidity level change in the room?

No.

18. Does Airfree® release any gas or chemical product?

No. Airfree's sterilization process is natural. Please check our website for conclusive tests regarding particles and ozone.

19. Does Airfree® heat up a room?

No. Airfree® does not make any noticeable increase in the room temperature. Just for comparison two Airfree® devices plugged in the same room will contribute as much heat as one 155 lb (70 kg) adult.

20. Does Airfree® need filter replacement?

No.

21 - Does Airfree® night light interfere with Airfree® sterilising function?

No. The night light has an aesthetic effect and may simply be used as a night light in children or newborn bedrooms.

22 - Where do the microorganisms go after they are destroyed?

All living microorganisms are basically composed by carbon, oxygen and nitrogen. Since Airfree® reaches nearly 400 °F (200 °C), all the components decompose into carbon dioxide (the same product released by our respiration) and water. Some carbon (or microscopic ashes) may remain inside the device or over the top lid during the process. It should be noted that all happens in a microscopic level, so all those residues are a very small fraction of the microorganisms original microscopic size, in other words meaningless.

Warranty

This product is warranted by AIRFREE® PRODUCTS, to the original purchaser to be free from defects in material and workmanship under proper use for a period of two years from date of purchase.

During this period, and upon purchase presentation of purchase invoice, this product will be repaired or replaced with same or similar model without charges for parts or labor at distributor address. To be eligible for the warranty, please register at www.airfree.com or complete your warranty card at the time of purchase and mail it to the distributor. To obtain warranty service, please send the device with sales receipt or invoice to the distributor.

This warranty does not apply to a product that has been misused, abused, or altered without limiting the afore-mentioned, bending or dropping the unit, defects in the house electrical installation or fluctuating power levels that are considered to be defects resulting from misuse or abuse.

AIRFREE® PRODUCTS and its affiliates or wholesalers do not make any specific claim as to medicinal uses of this product nor does the manufacturer warrants that the equipment prevents diseases.

NEITHER THIS WARRANTY NOR ANY WARRANTY, EXPRESSED OR IMPLIED, INCLUDING IMPLIED WARRANTIES OR MERCHANTABILITY, SHALL EXTEND BEYOND THE WARRANTY PERIOD. NO RESPONSIBILITY IS ASSUMED FOR ANY INCIDENTAL OR CONSEQUENTIAL DAMAGES, INCLUDING WITHOUT LIMITATION DAMAGES, SOME STATES DO NOT ALLOW LIMITATION ON HOW LONG AN IMPLIED WARRANTY LASTS; SOME STATES DO NOT ALLOW THE EXCLUSION OR LIMITATION OF INCIDENTAL OR CONSEQUENTIAL DAMAGES, SO THE ABOVE LIMITATIONS OR EXCLUSIONS MAY NOT APPLY TO YOU.

AIRFREE® PRODUCTS HEREBY SPECIFICALLY DISCLAIMS ALL EXPRESSED WARRANTIES NOT OTHERWISE SET FORTH HEREIN AND ANY IMPLIED WARRANTIES OR MERCHANTABILITY OR IMPLIED WARRANTIES FOR FITNESS FOR A PARTICULAR PURPOSE. THERE ARE NO WARRANTIES WHICH EXTEND BEYOND THE DESCRIPTION OF THE FACE HEREOF. This warranty gives you specific legal rights; you may have other rights, which vary from state to state, and country to country.